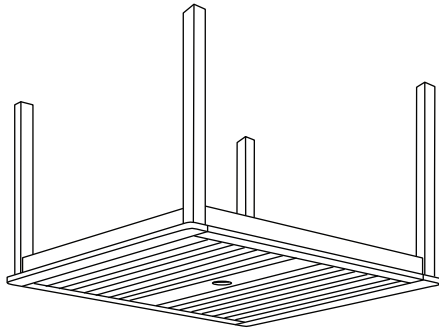


ITEM - CD12TA
 42" SQUARE DINING TABLE



OXFORD GARDEN

About Shorea Wood

Shorea is a tropical hardwood that is comparable to teak. Because of its high oil content it is resistant to rotting, bug infestation, and the effects of wind, rain, sun, and snow. If left untreated shorea weathers naturally to a beautiful silver gray color. Some surface roughness may develop, especially at the end grain, but over a period of about one year, the natural weathering process will stabilize. Moderate checking in the grain is normal with exposure to the elements. Small surface cracks that may appear in no way affect the structural integrity of the furniture. As weather conditions and temperatures fluctuate these small cracks may expand and contract.

Wood Care Instruction

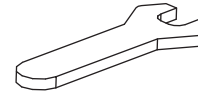
To prevent the staining of concrete or tile the furniture should be rinsed well after assembly to remove dust that might remain from the manufacturing process. Although shorea weathers well we recommend a routine application of teak oil or Cabot's Australian Timber Oil in extremely dry climates. A routine oiling is also recommended for furniture to be used for dining purposes to discourage staining from food and drink spills.

For seasonal cleaning rinse the furniture well and then scrub (using a sponge or soft bristle brush) with a mild solution of water, laundry detergent and a little bleach. Rinse with fresh water.

To restore the original wood color, Oxford Garden suggests applying Cabot's Australian Timber Oil or any high quality teak oil after cleaning. Test in an inconspicuous spot first, to approve the color. Application of oil is at the customer's discretion and is not covered by the warranty. Paint or any products with polyurethane are not recommended, as application of these products will void the warranty as well.

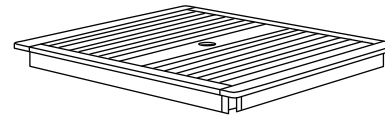
Tools (included)

Hex Head Wrench
 QUANTITY: 1



Components

① Table Top Assembly
 QUANTITY: 1



② Corner Posts
 QUANTITY: 4



③ Parasol Hole Cap
 QUANTITY: 1



Hardware

A Metal Washers
 QUANTITY: 9



B Hex Nuts
 QUANTITY: 9



Finishing Items (included)

Medium Grit Sandpaper

NOTE: Hardware pack may contain more hardware than what is needed to assemble.

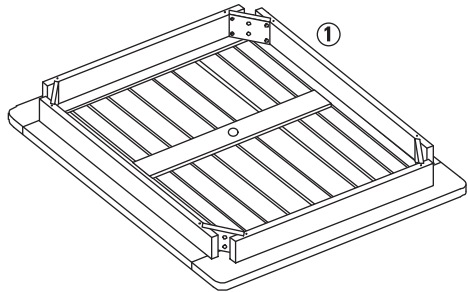
If the furniture is going to be placed on a concrete or tile patio, it should first be rinsed well to remove the sawdust that may cause some staining.

Warranty

Oxford Garden warrants all outdoor furniture and accessories to be free from manufacturing defects in materials and workmanship. Provided the furniture is assembled correctly and is subjected to normal use, Oxford Garden will cover your outdoor furniture under the following five, three and one year warranties. For more details regarding the Oxford Garden warranty, visit www.oxfordgarden.com/warranty.

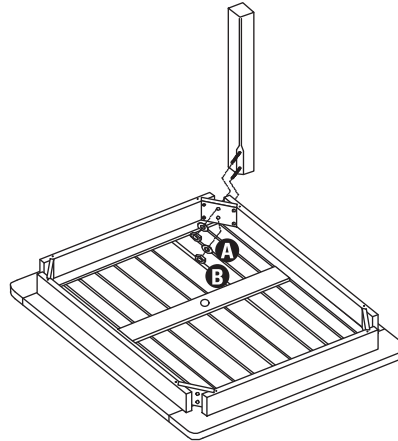
Step 1

On a clean flat surface, lay table ① top upside down.



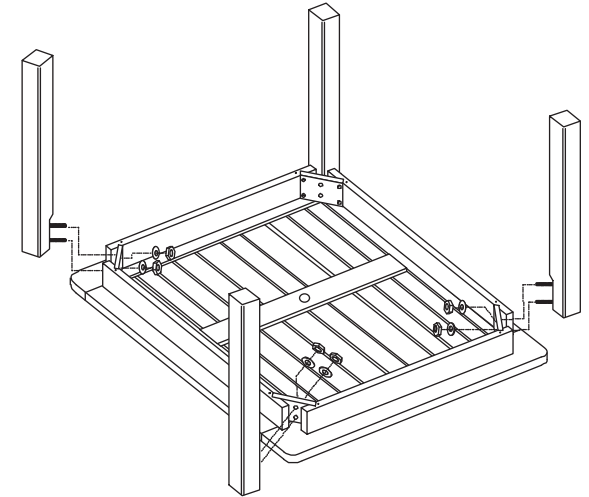
Step 3

Secure corner post to the table top using a metal washer **A** and hex nut **B**.



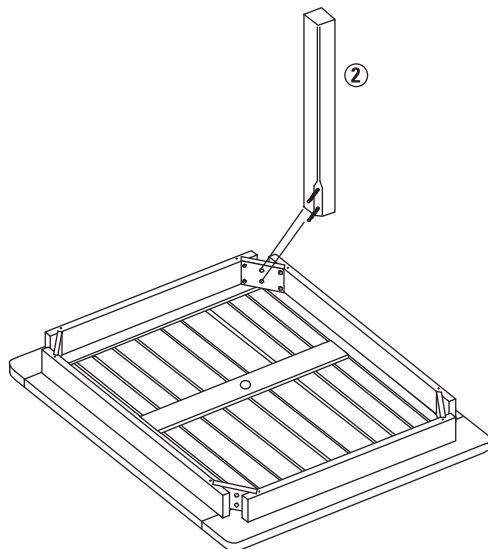
Step 4

Repeat steps 2 and 3 for the remaining 3 corner posts.

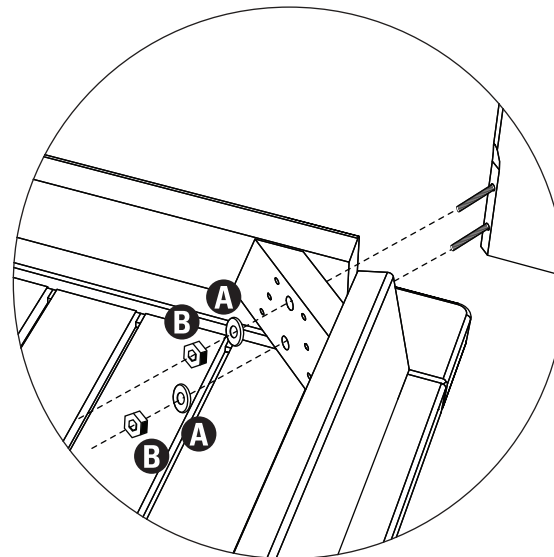


Step 2

Insert the threaded rods on one corner post ② into holes located on one corner of table top.



Step 3 (detail)



Step 5

Carefully turn the assembled dining table in an upright position. Using a medium grit sandpaper, quickly sand off any marks or stains. Sand to smooth off areas around the dowel pins.

