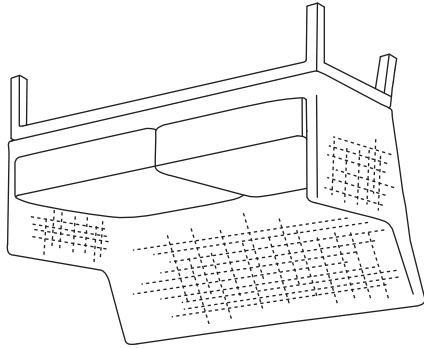


ITEM - TWVLSR -
ARGENTO
ARGENTO WOVEN LOVESEAT



OXFORD GARDEN

About Materials

Resin wicker is made of synthetic polyethylene material. Unlike its alternative, natural wicker, resin wicker is durable and elastic, providing a comfortable seat that will resist weathering and last.

Care Instruction

Resin wicker requires minimal maintenance, as it is resistant against the sun's UV radiation, humidity and water. To clean, wash with mild soap and water.

Warranty

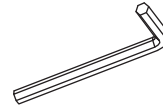
Oxford Garden warrants all outdoor furniture and accessories to be free from manufacturing defects in materials and workmanship. Provided the furniture is assembled correctly and is subjected to normal use, Oxford Garden will cover your outdoor furniture under the following five, three and one year warranties. For more details regarding the Oxford Garden warranty, visit www.oxfordgarden.com/warranty.

Assembly Instructions page 1

Argento Woven Loveseat_Argento

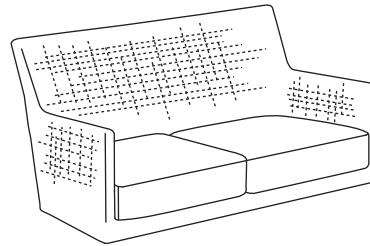
Tools (included)

Allen Wrench
QUANTITY: 1

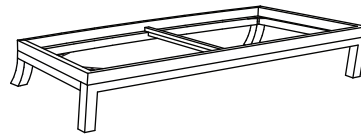


Components

- ① Argento Woven Loveseat_Argento - Seat Assembly



- ② Argento Woven Loveseat_Argento - Leg Assembly



Hardware

- Ⓐ 25 mm Short Bolt
QUANTITY: 2



- Ⓑ 35 mm Long Bolt
QUANTITY: 3



- Ⓒ 45 mm Long Bolt
QUANTITY: 1



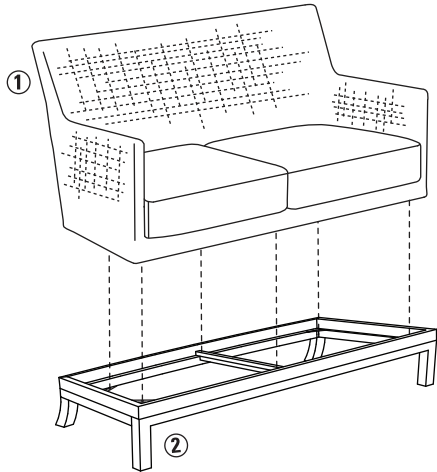
- Ⓓ Flat Washer
QUANTITY: 6



Step 1

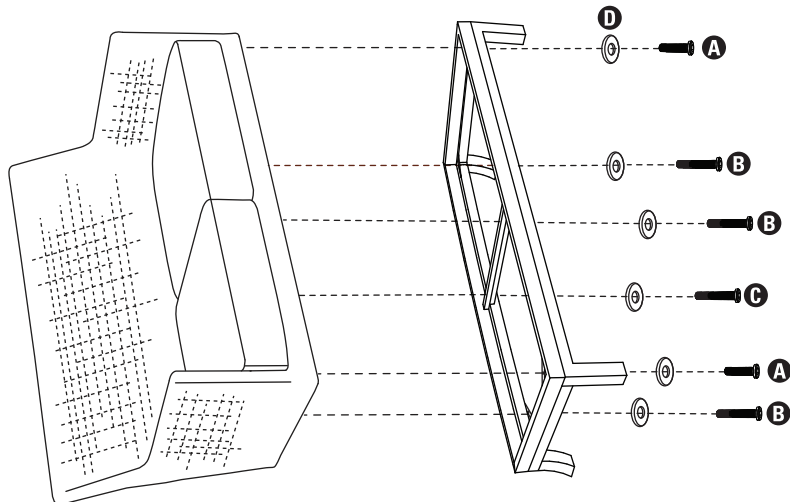
Line up Loveseat Seat Assembly ① onto Leg Assembly ② to the pre drilled holes on the seat assembly as shown.

Note: Curved part of leg assembly lines up with the back of the chair.



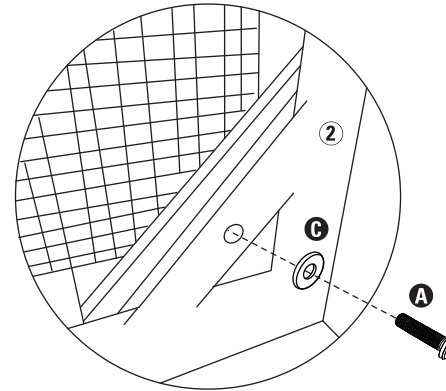
Step 2

Place washer **D** on bolts **A**, **B** & **C**. Next, hand tighten bolts into the pre drilled holes as shown. Repeat for all bolts.



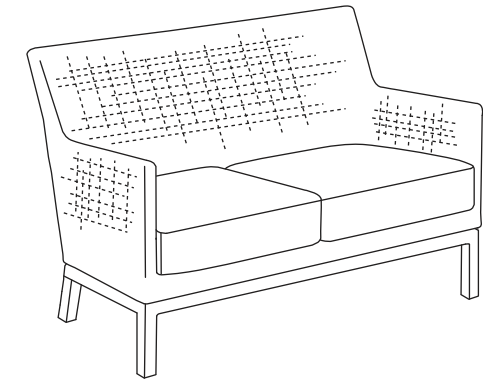
Step 2 Detail

Underside view



Step 4

Turn upright and enjoy!



Step 3

Tighten ALL bolts with the allen wrench provided.

